



Character:

- Only impulse excitation is needed, both for single and double coil.
- Contacts can be controlled (switched) by the paddle.
- Low power consumption with great load capability
- Dimensions: 100×50×21 (mm)

Contact parameter

Contact form	3B	
Contact resistance	Max. 1.5mΩ(1A 6VDC)	
Contact material	Silver alloy	
Contact rating (resistive load)	60A 250VAC	
Max. Switching Voltage	250VAC	
Max. Switching Current	60A	
Max. Switching Power	15KVA	
Life	Mechanical life	5×10 ⁵ OPS
	Electrical life	1×10 ⁴ OPS
Max. Short-circuit current	1800A/10ms	

Performance parameter

Operate Time	40ms Max	
Release Time	40ms Max	
Relative humidity	45%-90%RH	
Dielectric strength	Coil&contact	4000VAC 50/60Hz(1Min)
	Between open contacts	2000VAC 50/60Hz(1Min)
	Between contacts	4000VAC 50/60Hz(1Min)
Insulation resistance	1000MΩ Min. (500VDC)	
Ambient temperature	-40°C~+70°C	
Impulsion	98m/s ²	
Vibration	10-55HZ, 1.5mm	
Weight(without accessories)	150g	

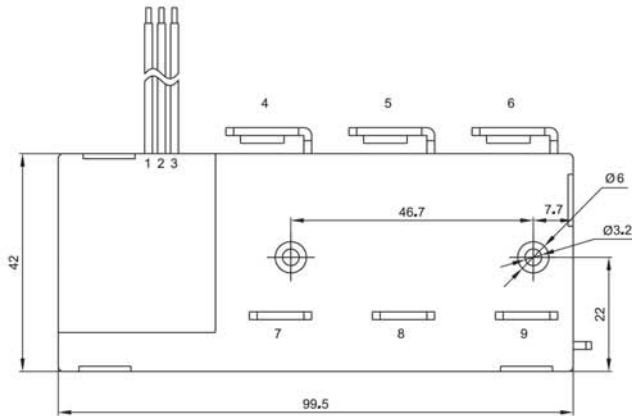
Coil parameter(20°C)

Rated coil (VDC)	Coil resistance(Ω)±10%		Coil power (W)		Operate voltage (VDC)	Release voltage (VDC)	Over voltage (VDC)	Impulse duration (ms)
	Single coil	Double coil	Single coil	Double coil				
6VDC	10	5/5	3.5W	7.0W	≤75%	≤75%	≤150%	≥120ms
9VDC	23	12/12						
12VDC	41	21/21						
24VDC	164	82/82						
48VDC	658	329/329						

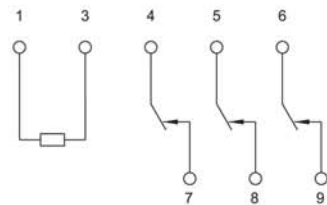
Ordering information

HRT3-60A	60A	3B	12VDC	S		
					Coil type:	S:single coil D:double coil
					Coil voltage:	6,9,12,24,48V
					Contact form:	3B:three sets of contacts remain closed
					Contact current :	60A
					Type:	HRT3-60A

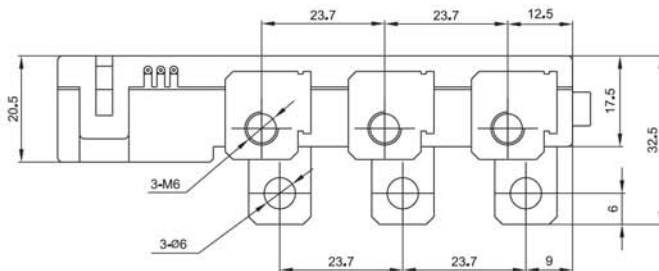
Dimension 、 wiring diagram(unit:mm)



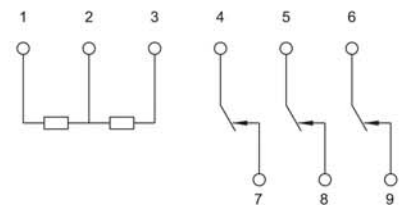
Single coil



1(+)
3(-) 4-7, 5-8, 6-9 Release (Open)
3(+)
1(-) 4-7, 5-8, 6-9 Operate (Close)



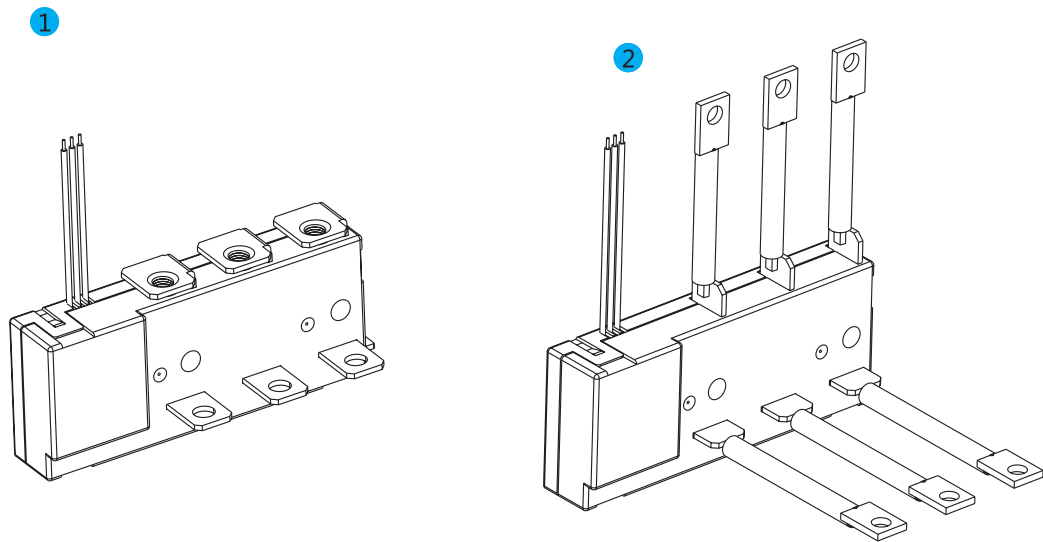
Double coil



1(+)
2(-) 4-7, 5-8, 6-9 Release (Open)
3(+)
2(-) 4-7, 5-8, 6-9 Operate (Close)

Note : No tolerance marked. When dimension is $\leq 1\text{mm}$, the tolerance shall be ± 0.2 ; when dimension is $1-5\text{mm}$, the tolerance shall be ± 0.3 ; when dimension is $> 5\text{mm}$, the tolerance shall be ± 0.5 .

Schematic diagram of a typical specification(unit:mm)



Typical application

- smart meter
- power composite switch

Notice

- 1、 The factory default of the contacts is to stay closure (reset), It's possible that the status will be changed with impact during shipment or installation. Please make sure the status of the contacts stay reset before using.
- 2、 To guarantee the latching relay operates reliably, the excitation voltage to coil should meet the rated value and impulse duration needs to exceed 3 times of the operation time. For double coil type latching relay, please neither apply voltage signal to both coils at the same time nor apply with long time (over 1 min).
- 3、 Latching relays without copper braided wires, the loaded PIN can neither be tin soldered nor be wrenched. Rigid fixing of the two pins is also not allowed.
- 4、 Magnetic latching relay is polarized relay. If customer needs different kinds of polarity from the data sheet, please inform us.
- 5、 Please handle the latching relays with care during factory's incoming-inspection and when put in use, do not let the relay drops which will impact the parameter. Please make strict distinction between relay made for.