

## DC HIGH VOLTAGE EV RELAY

# HAR-100



### ▶ Contact data 触点参数

(450VDC)

Item	Type	1Pole Resistive load (L/R ≤ 1 ms)
		HAR100
Max. Continuous current (wire size 50mm <sup>2</sup> )		150A
Max. switching current		125A
Max. switching voltages		900VDC
Contact rating switching voltages		450VDC
Voltage drop across contacts per 100A		10mV max.
Min. permissible load		12V DC 0.5A
Description		S,P On/Off (a)
Contact Arrangement, auxiliary contacts		1Form A (SPST-NO.)
Aux. Contact Current, Max.		2A 30VDC/3A 125VAC
Aux. Contact Current, Min.		100mA 8VDC

### ▶ Characteristics 性能参数

Initial insulation resistance		Min. 100MΩ 500V DC	
Expected life	Mechanical (Min.)		10 <sup>6</sup>
	Electric (L/R ≤ 1 ms)	450V DC 125A	10 <sup>4</sup>
		250V DC 125A	10 <sup>5</sup>
Initial breakdown voltage	Between open contacts	3500V AC 1Min. 10mA	
	Between contacts & coil	3500V AC 1Min. 10mA	
Operate time (at 20°C)		Max. 20ms	
Release time (at 20°C)		Max. 10ms	
Shock resistance	Functional	Min 490 m/s <sup>2</sup> {50G}	
	Destructive	Min 147 m/s <sup>2</sup> {15G}	
Vibration resistance	Functional	100 m/s <sup>2</sup> {10G} 10 to 500Hz	
	Destructive	100 m/s <sup>2</sup> {10G} 10 to 500Hz	
Conditions for operation transport and storage	Ambient temperature	-40°C to +85°C	
	Humidity	5 to 85% R.H.	
Unit weight		300g	

### ▶ Coil data 线圈参数

Nominal voltage(V)	Item	Nominal Coil current (mA)	Coil resistance (Ω)	Pick-up voltage (V)max.	Drop-out voltage (V)min.	Max. voltage (V)max.	Coil power(W) dissipation
DC	110	52	2,100	82.5	11	143	5.6 ~ 5.9
	72	83	870	54	7.2	93.6	
	60	95	630	45	6	78	
	48	117	410	36	4.8	62.4	
	24	245	110	18	2.4	31.2	
	12	480	25	9	1.2	15.6	
	6	952	6.3	4.5	0.6	7.8	

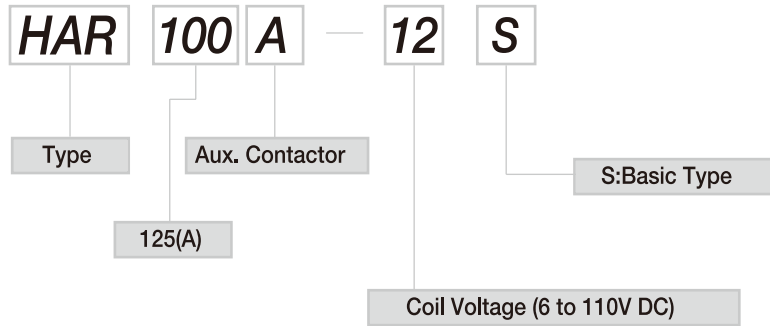
Notes : 1. Nominal current and coil resistance are measured at +20°C.  
 2. Differences of coil resistance are ± 10%.  
 3. Performance characteristic coil temperature is measured at +20°C.

# DC HIGH VOLTAGE EV RELAY

# HAR-100

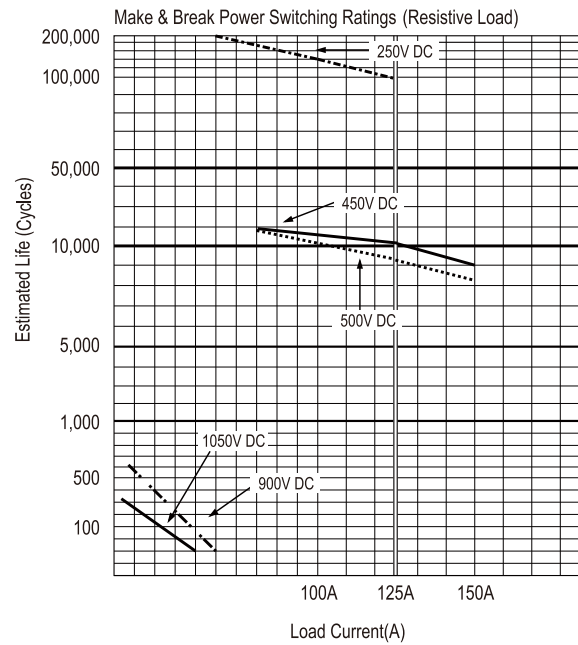
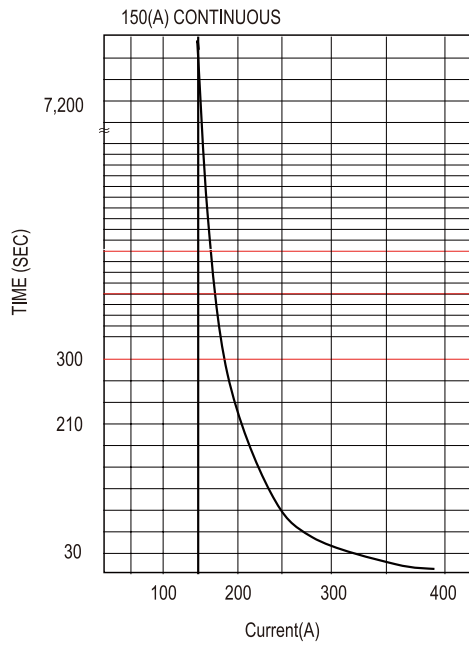


## ▶ Ordering information 订货标记



## ▶ Reference data 性能曲线图

- Max, Current capacity
- Max, Continuous thermal current rating (amperes)

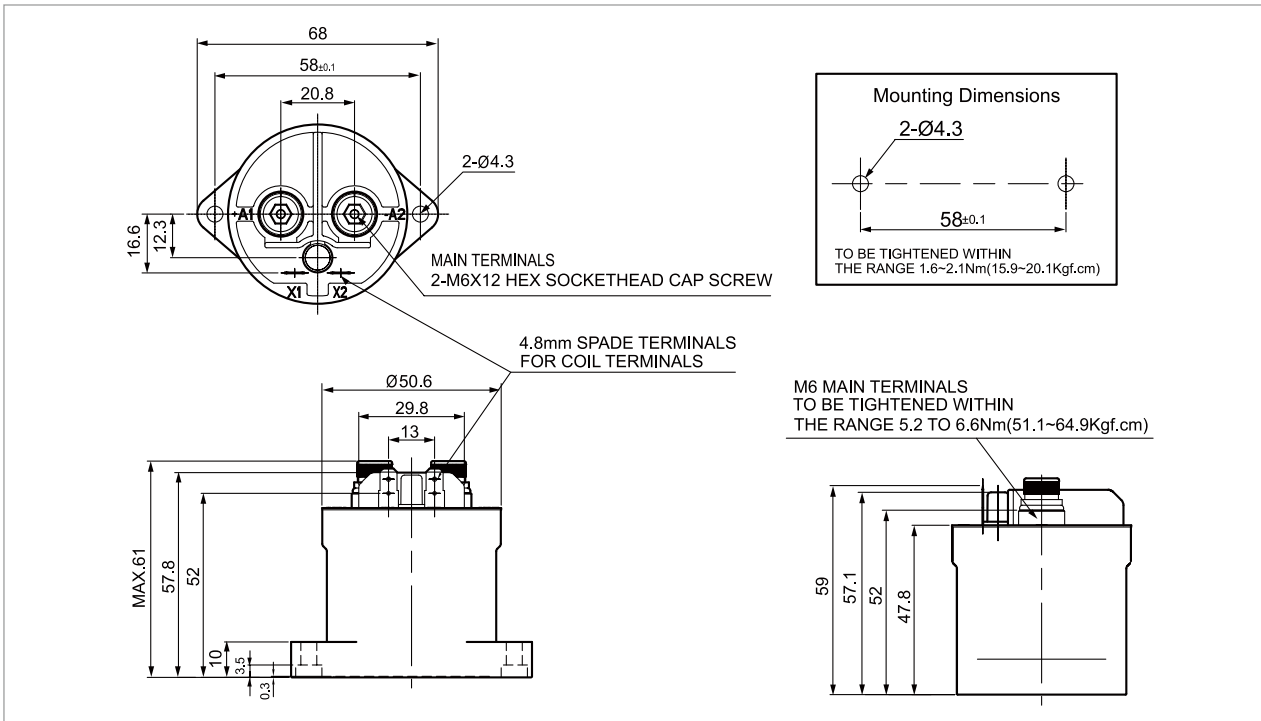


DC HIGH VOLTAGE EV RELAY

# HAR-100



► Dimensions (unit:mm) 外型尺寸、接线、安装孔位图 (单位:mm)



(Aux. Type)

