



Character:

- Only impulse excitation is needed, both for single and double coil.
- Small in size and PCB installation
- Low power consumption with great load capability.
- Dimensions: 29×13×17(mm)

Contact parameter

Contact form	1B	
Contact resistance	Max.50mΩ(1A 6VDC)	
Contact material	Silver alloy	
Contact rating (resistive load)	16A 250VAC/28VDC	
Max. Switching Voltage	250VAC/28VDC	
Max. Switching Current	16A	
Max. Switching Power	4KVA/448W	
Life	Mechanical life	1×10 ⁶ 次
	Electrical life	1×10 ⁵ 次
Max. Short-circuit current	500A/10ms	

Performance parameter

Operate Time	15ms Max	
Release Time	15ms Max	
Relative humidity	45%-90%RH	
Dielectric strength	Coil&contact	4000VAC 50/60Hz(1Min)
	Between opencontacts	1000VAC 50/60Hz(1Min)
Insulation resistance	100MΩ Min. (500VDC)	
Ambient temperature	-40°C~+70°C	
Impulsion	49m/s ²	
Vibration	10-55HZ, 1.5mm	
Weight	14g	

Coil parameter(20°C)

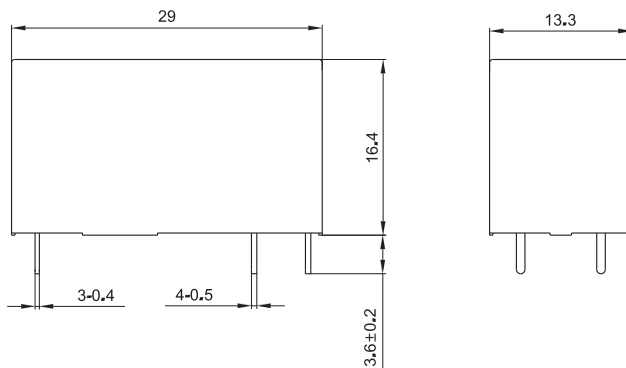
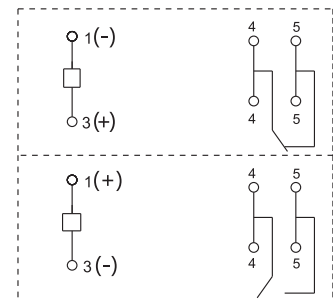
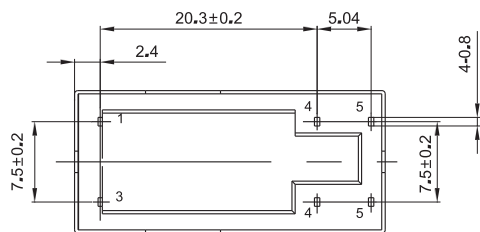
Rated coil (VDC)	Coil resistance(Ω)±10%		Coil power (W)		Operate voltage (VDC)	Release voltage (VDC)	Over voltage (VDC)	Impulse duration (ms)
	Single coil	Double coil	Single coil	Double coil				
5VDC	39	20/20	0.64W	1.28W	≤75%	≤75%	≤150%	≥50ms
6VDC	56	28/28						
9VDC	126	63/63						
12VDC	225	112/112						
24VDC	900	450/450						

Ordering information

HRT16	16A	1B	12VDC	S	
				Coil type:	S:single coil D:double coil
				Coil voltage:	3 , 6 , 9,12,24V
				Contact form:	1B:a set of contacts remain closed
				Contact current :	16A
				Type:	HRT16

Dimension 、 wiring diagram(unit:mm)

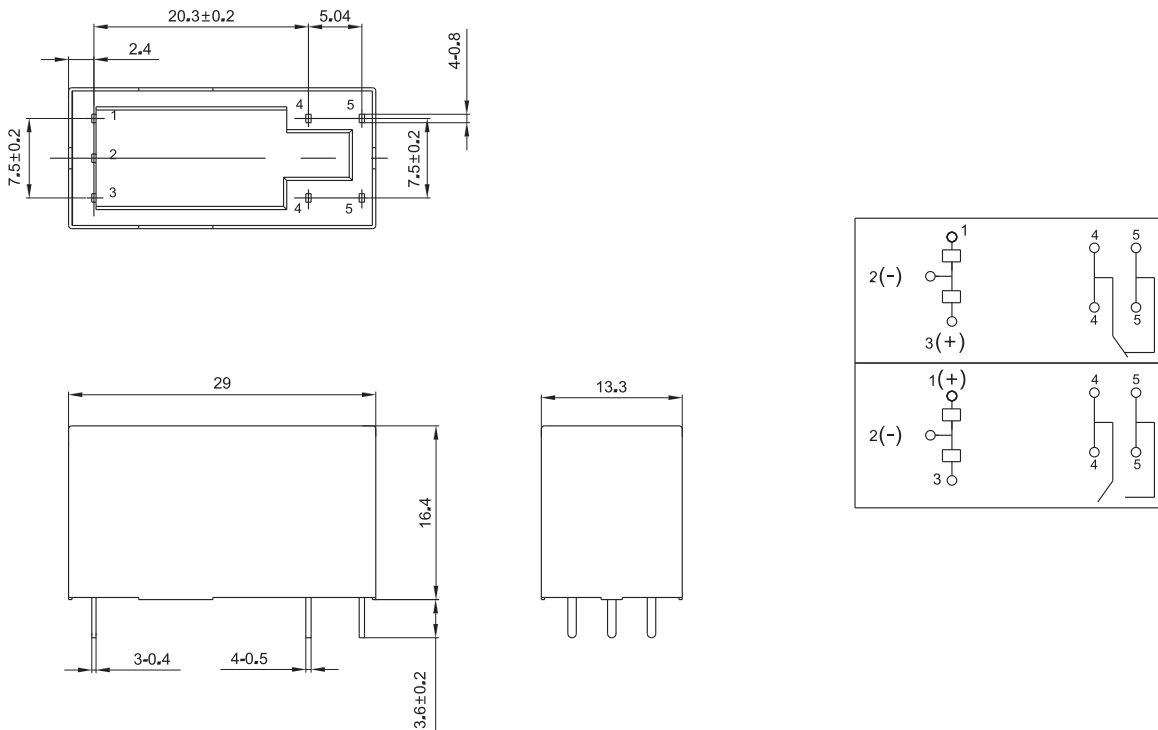
Single coil



Note : No tolerance marked. When dimension is ≤ 1 mm , the tolerance shall be ± 0.2 ; when dimension is 1-5mm , the tolerance shall be ± 0.3 ; when dimension is > 5 mm , the tolerance shall be ± 0.5 .

Dimension 、 wiring diagram(unit:mm)

Double coil



Typical application

- smart meter
- electric remote control
- power composite switch
- leakage protection

Notice

- 1、 The factory default of the contacts is to stay closure (reset), It's possible that the status will be changed with impact during shipment or installation. Please make sure the status of the contacts stay reset before using.
- 2、 To guarantee the latching relay operates reliably, the excitation voltage to coil should meet the rated value and impulse duration needs to exceed 3 times of the operation time. For double coil type latching relay, please neither apply voltage signal to both coils at the same time nor apply with long time (over 1 min).
- 3、 Latching relays without copper braided wires, the loaded PIN can neither be tin soldered nor be wrenched. Rigid fixing of the two pins is also not allowed.
- 4、 Magnetic latching relay is polarized relay. If customer needs different kinds of polarity from the data sheet, please inform us.
- 5、 Please handle the latching relays with care during factory's incoming-inspection and when put in use, do not let the relay drops which will impact the parameter. Please make strict distinction between relay made for.